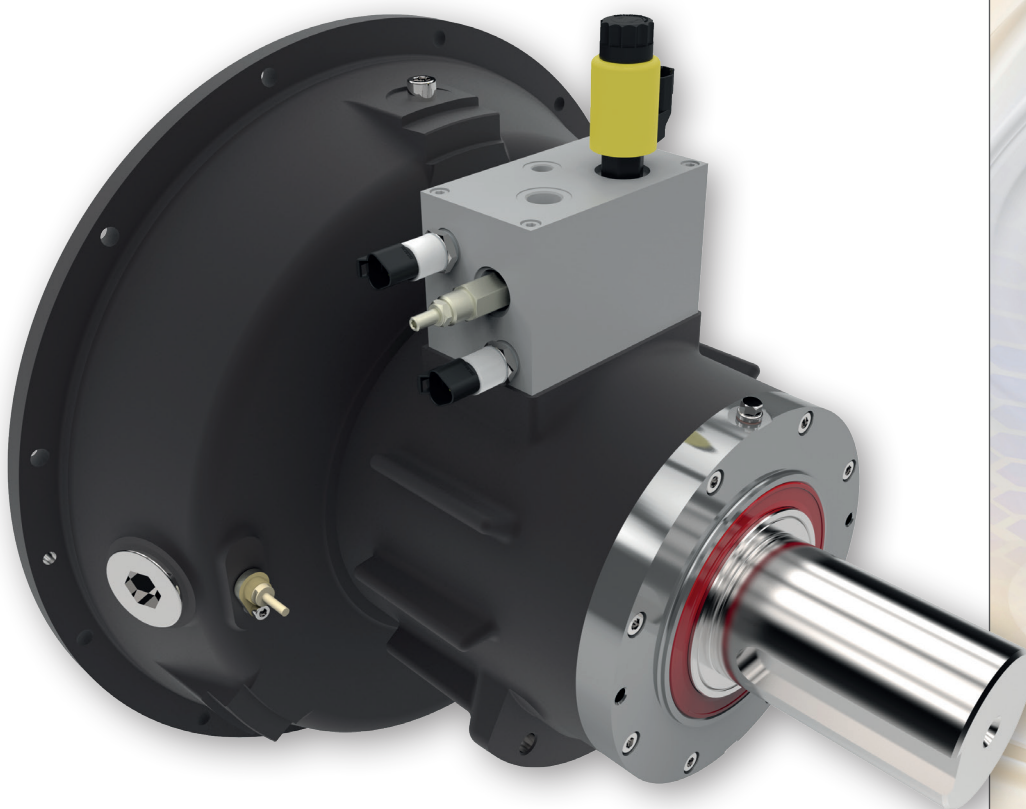


# DESCH PRODUCTS FOR MOBILE APPLICATIONS



## Planox<sup>®</sup> clutch PHRA 143/1 SR the newest addition to the DESCH Planox<sup>®</sup> range



### Benefits

- high radial / axial load
- latest generation of clutch control
- self contained
- no pilot bearing
- compact design
- available in SAE 1 and SAE 2 bellhousing
- plug and play speed sensors
- hydraulic input supply up to 350 bar
- J1939 compatible
- heavy duty clutch plates

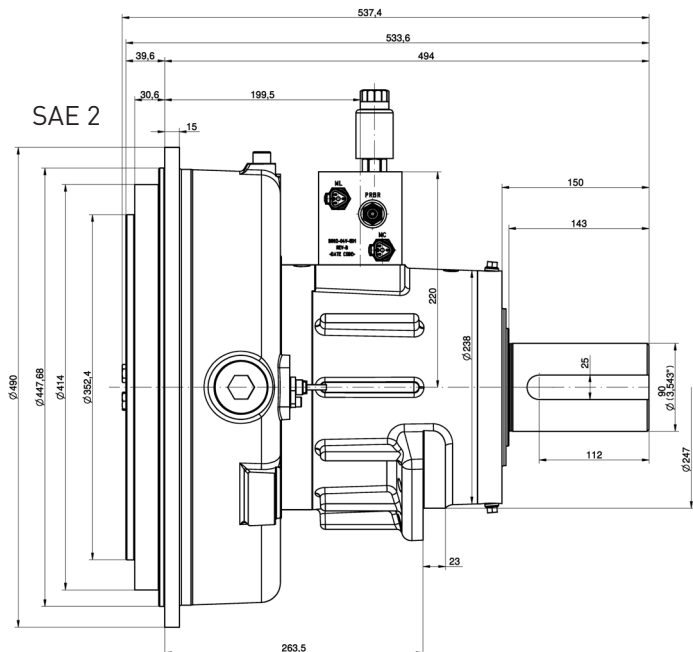
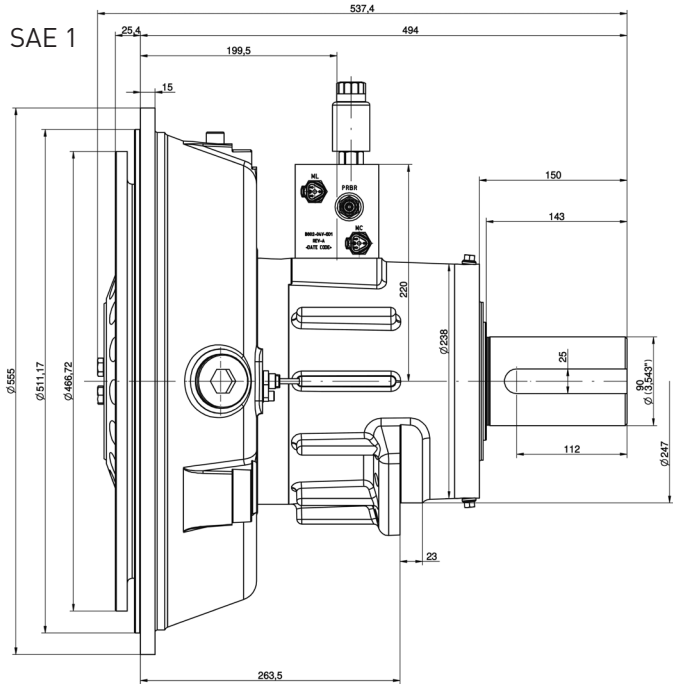
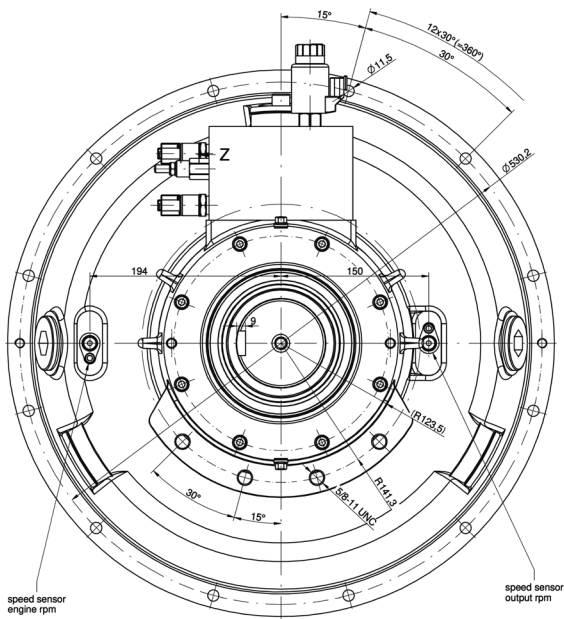
### Technical specification

|                         |                      |
|-------------------------|----------------------|
| max. output torque      | 6000 Nm (4425 lb-ft) |
| max. operating speed    | 2250 rpm             |
| engaging speed          | 800 rpm              |
| max. operating pressure | 350 bar (5076 psi)   |





SMART DRIVE SOLUTIONS



## INTERNATIONAL

DESCH Antriebstechnik GmbH & Co. KG  
 Postbox 1440  
 59753 Arnsberg/Germany  
 Kleinbahnstraße 21  
 59759 Arnsberg/Germany  
 T +49 2932 300 0  
 F +49 2932 300 899  
 info@desch.com  
 www.desch.com

DESCH Canada Ltd.  
 240 Shearson Crescent  
 Cambridge  
 Ontario  
 Canada N 1T 1J6  
 T +1800 2631866  
 +1519 6214560  
 F +1519 6231169  
 desch.canada@desch.com

DESCH USA LP  
 Sales, Engineering,  
 Service Support  
 3501 Embassy  
 Parkway, Suite 101  
 Akron Ohio 44333  
 T +1 330 937 9030  
 F +1 330 937 9031  
 sales\_usa@desch.com

DESCH USA LP  
 Manufacturing,  
 Assembly  
 4940 Merrifield Rd  
 Dallas  
 Texas 75236  
 desch.dallas@desch.com

DESCH Italy  
 Drive Technology  
 Ufficio di rappresentanza  
 in Italia  
 Via Cavriana, 3  
 20134 Milano/Italy  
 T +39 02 7391 280  
 F +39 02 7391 410  
 desch.italia@desch.com

DESCH China  
 Machinery (Pinghu) Co., Ltd.  
 No. 1680 Xingping 1 Road, Build. 3  
 Pinghu Economic Technological  
 Development Zone  
 314200 Zhejiang P. R. China  
 T +86 573 8557 8988  
 F +86 573 8557 8989  
 desch.china@desch.com

DESCH do Brasil  
 Power Transmission S.A.  
 Rdv Edgar Máximo  
 Zambotto, s/n km 54  
 Campo Limpo Paulista, SP  
 CEP: 13.231-700  
 T +55 11 4039 8240  
 F +55 11 4039 8222  
 desch.brasilien@desch.com